

Dell Wyse 3040 monitor mount for 2016 E-series and E2417H Dell monitors

Installation guide



Notes, cautions, and warnings

 **NOTE:** A NOTE indicates important information that helps you make better use of your product.

 **CAUTION:** A CAUTION indicates either potential damage to hardware or loss of data and tells you how to avoid the problem.

 **WARNING:** A WARNING indicates a potential for property damage, personal injury, or death.

Copyright © 2017 Dell Inc. or its subsidiaries. All rights reserved. Dell, EMC, Dell EMC and other trademarks are trademarks of Dell Inc. or its subsidiaries. Other trademarks may be trademarks of their respective owners.

Contents

1 Dell monitors using this mount.....	4
2 Included in the kit.....	5
3 Mounting the thin client.....	6



Dell monitors using this mount

Dell Wyse 3040 monitor mount for 2016 E-series and E2417H monitors is designed to work with the following monitors:

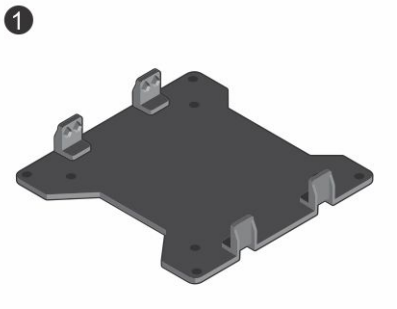
- E1916H
- E2016
- E2216H
- E2316H
- E2417H

NOTE: This mount is only designed to work with the Dell monitors listed above. This should not be used with other monitors.

Included in the kit

Parts provided in the kit include:

- 1 One Dell Wyse 3040 monitor mount



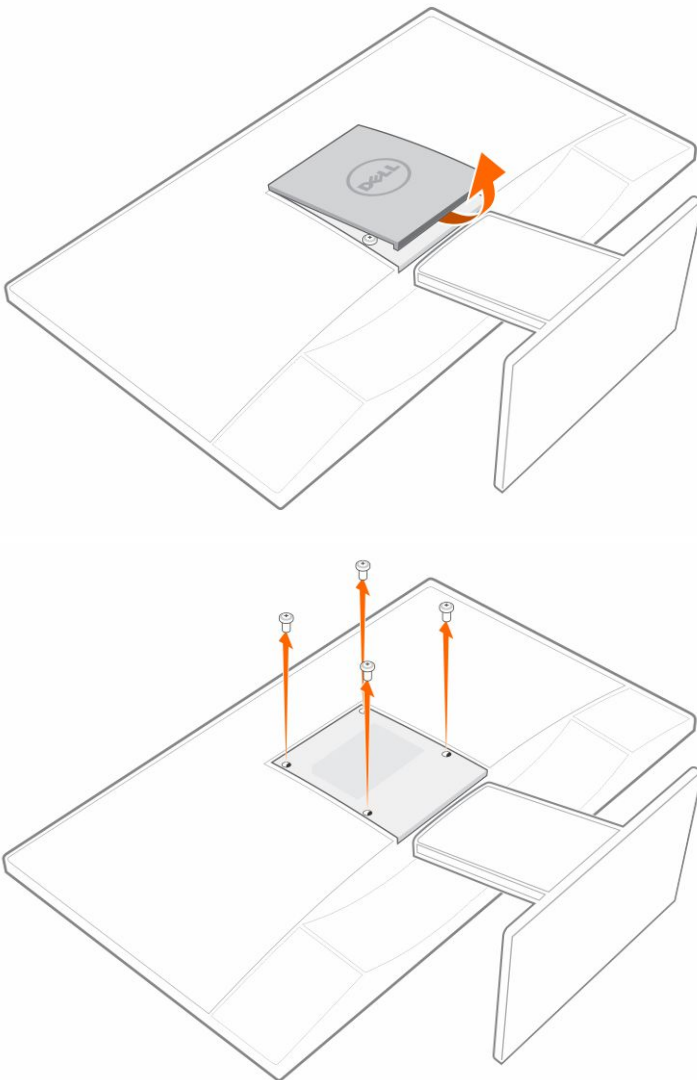
Mounting the thin client

Use the following instructions for mounting the thin client to a monitor using the E-series monitor mount:

1 Attaching the E-series mount to the monitor

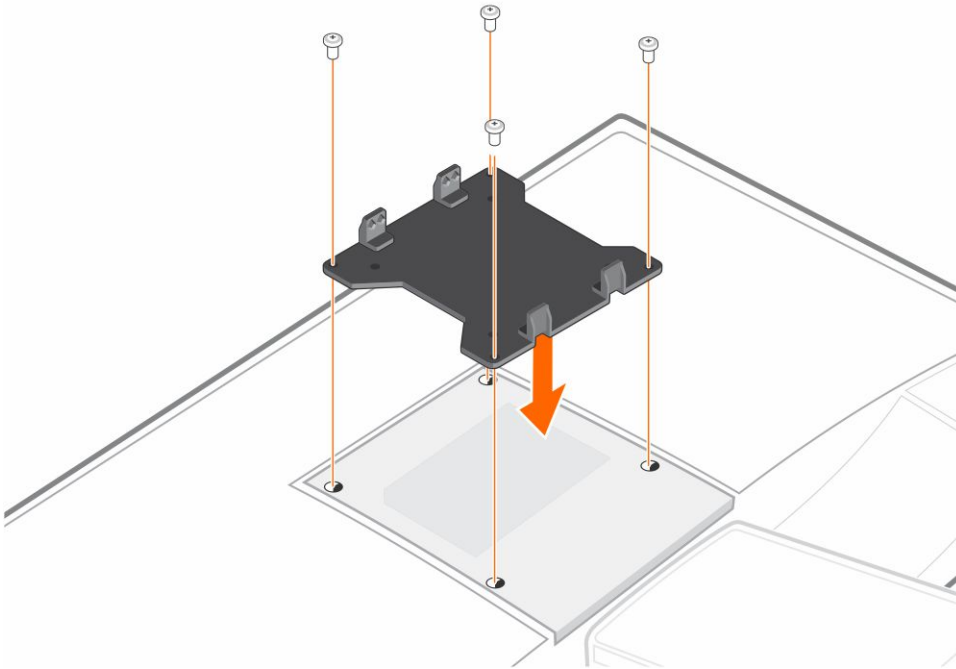
- Place the monitor panel face down on a soft cloth or cushion.
- Remove cover plate if attached.
- Remove the four (4) monitor screws from the back of the monitor and set them aside.

i | **NOTE:** For ease of installation, position the monitor with the base of the stand hanging over the edge of the table.

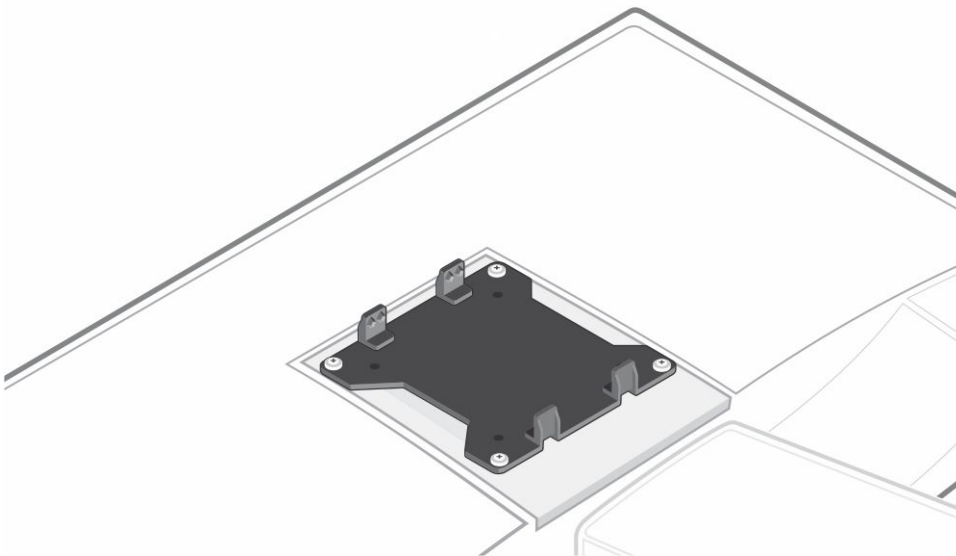


—Position the E mount on the back of the monitor and attach it using the same monitor screws (do not over-tighten).

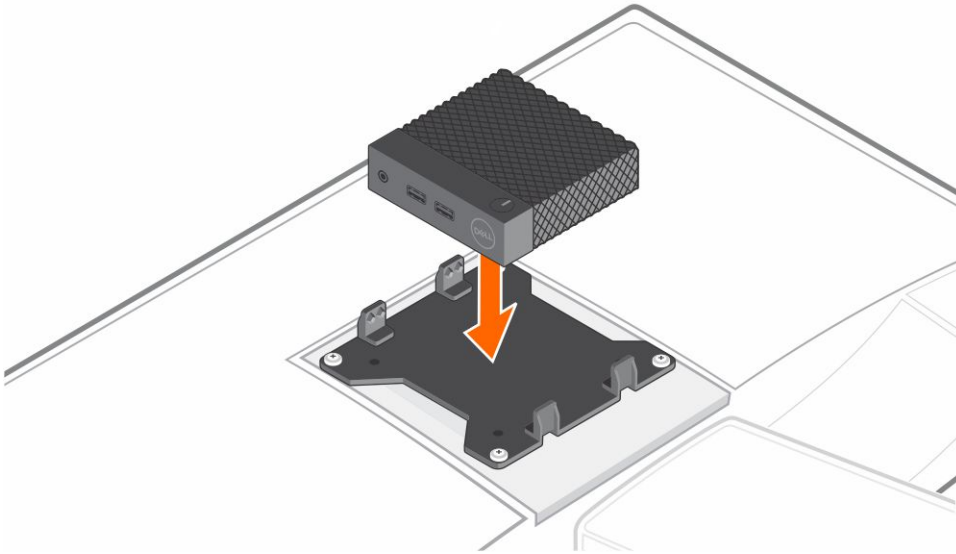
NOTE: The four clips must be in the vertical orientation.



2 **Attaching the thin client** —Align the thin client over the bracket and gently push the client in place until you hear a click.



Make sure that the orientation of the thin client is the same as shown below.



- 3 **Connecting cables** —Make all desired connections, and then connect the power adapter's AC power cord into an electrical outlet.

NOTE:

To remove the client, gently pull the client to release it from the mount.